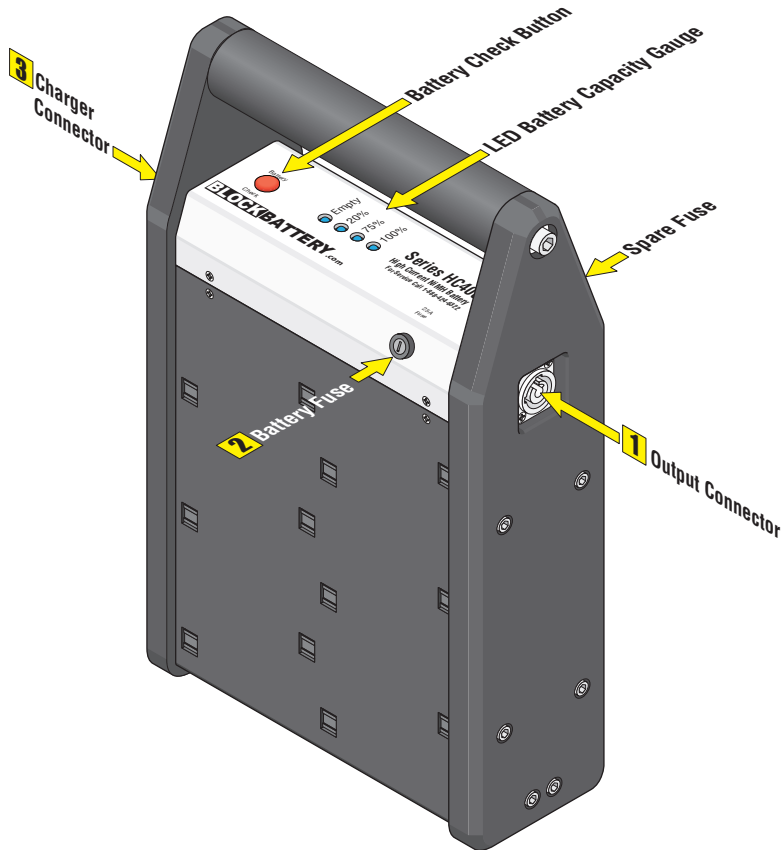


## SERIES "HC"

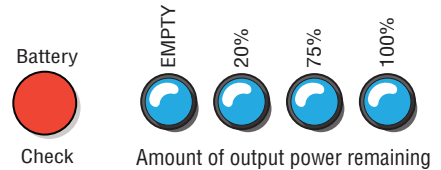
# HC400 - 28 VDC High Current Block Battery

The HC400 is a High Current block battery designed for lighting applications. The HC400 provides up to 400 WattHours of nominal 28vdc (20~34) @ currents as high as 25 amps. The special internal design of the HC400 allows for the safe discharge required by high power lighting applications.



## LED Battery Capacity Gauge

Press the Battery Check button to show battery power status when the block is not in use. The Power Status gauge will automatically illuminate when the block is in use.



## HC400 Features

- 1 Output Connector:**  
28vdc (20 ~34) @ 25 amps
- 2 Battery Fuse:**  
25 Amp replacement size (spare fuse included)
- 3 Charge Connector:**  
Connects to EFC-1, EFC-2, QUAD or 2F1-Charger

### CAUTION:

Use BLOCK BATTERY chargers ONLY. Charge cycle completion is indicated by the charger.

## HC400 Operation and Storage

### Charging Time for Empty Battery:

~ 5.5 hours on EFC-1, EFC-2, QUAD or 2F1-Charger

### Short Term HC400 Storage (Up to 1 Week):

5° to 25°C (41° to 77°F)

No output device plugs connected

OK to leave charger connected

### Long Term HC400 Storage (More than 1 Week):

5° to 25°C (41° to 77°F)

Fully charge battery

No output device plugs connected

Do not leave charger connected

Recharge every two months

## HC400 Specifications

### HC400 Dimensions:

14.75" (37.4 cm) Height x 9.3" (23.6 cm) Width  
x 3.75" (9.5 cm) Depth

### HC400 Weight:

15 lbs (6.8 Kg)

### HC400 Battery Type:

Nickel Metal-Hydrate (NiMH)

**HC400 is Unrestricted for Air & Ground Transport**

For technical support call:

**1-888-424-6322**